

PLEASE REVIEW ATTACHED PACKET IN ITS ENTIRETY

EMPLOYEE: _____
APPLICATION# _____
OFFICE USE

**KENT COUNTY WATER AUTHORITY
APPLICATION FOR WATER SERVICE/METER
(SINGLE FAMILY RESIDENTIAL)**

NAME: _____

ADDRESS: _____

PHONE# _____ EMAIL: _____

SERVICE LOCATION: _____

LOT# OR DESCRIPTION: _____

METER SIZE: _____ SERVICE SIZE: _____ *(Both must be noted)*

APPLICANT SIGNATURE DATE

Approved application will expire six months from the date issued

WATER AVAILABILITY: _____	EMPLOYEE	YES <input type="checkbox"/>	NO <input type="checkbox"/>
---------------------------	----------	---------------------------------	--------------------------------

APPROVED BY KCWA: _____	EMPLOYEE	YES <input type="checkbox"/>	NO <input type="checkbox"/>
-------------------------	----------	---------------------------------	--------------------------------

CUSTOMER CONTRACTOR INSTALLING SERVICE: <i>(See related items)</i>		YES <input type="checkbox"/>	NO <input type="checkbox"/>
--	--	---------------------------------	--------------------------------

■INSPECTION FEE \$5.00 PER LINEAR FT. - FIELD DETERMINED - INSPECTION FEE \$ _____ <i>NOTIFY OFFICE 24 HRS PRIOR TO WATER SERVICE INSTALLTION FOR INSPECTION APPOINTMENT</i>			
---	--	--	--

■DEPOSIT OF \$1000.00 STATE ROAD OPENING INSPECTION FEE <i>(See related items)</i>	<input type="checkbox"/>	<input type="checkbox"/>	
--	--------------------------	--------------------------	--

LOCAL/STATE ROAD OPENING PERMIT NEEDED:	<input type="checkbox"/>	<input type="checkbox"/>
LOCAL/PLUMBING PERMIT NEEDED:	<input type="checkbox"/>	<input type="checkbox"/>
KCWA CONTRACTOR INSTALLED:	<input type="checkbox"/>	<input type="checkbox"/>
3/4" AND 1" SERVICE - \$1,500.00	<input type="checkbox"/>	<input type="checkbox"/>
1 1/2" AND 2" SERVICE - \$2,000.00	<input type="checkbox"/>	<input type="checkbox"/>

DEVELOPER INSTALLED (NO COST):
USING EXISTING SERVICE: - ACCT. NO. _____ SIZE _____

KCWA COMMENTS: _____

****CUSTOMER CONTRACTOR MUST BE QUALIFIED FOR WATER SERVICE INSTALLATION WITH A DRAIN LAYER OR PLUMBING LICENSE OR THE EQUIVALENT IN APPLICABLE EXPERIENCE****

Related Items

Deposit of \$1000.00 State of RI road opening permit fee:

Kent County Water Authority must collect a \$1,000.00 deposit associated with RIDOT inspection services relative to RIDOT permit. The service tap will be made in a RIDOT roadway. Any unused portion of the deposit will be returned once the bill is received from RIDOT for these services.

**KENT COUNTY WATER AUTHORITY
APPLICATION FOR NEW SERVICE
BASIC INFORMATION**

REQUIREMENTS FOR SERVICE AND METER INSTALLATION

SERVICES:

All single-family residential units shall be equipped with a minimum of 3/4" service. Single family and commercial units over 200' from the water main shall be equipped with a meter chamber and a minimum of 1" service.

Services shall be copper type K or polyethylene C.T.S. 200PSI rated. If polyethylene is chosen, then a minimum of a 12' copper whip shall be installed just prior to house entry and up to the meter. Stainless steel inserts shall be utilized at all connections for polyethylene pipe.

A ball valve rated for the service pressure shall be installed just prior to the location of the meter coupling, a second ball valve at the effluent side of the second meter coupling, the backflow preventer, then a third ball valve as shown on the attached detail drawing.

Depth of service shall be at a minimum of five feet finished grade throughout installation.

All fittings and pipe shall be swabbed with approvable chlorine solution prior to installation.

Identification tape, as specified in Section 3.21.14 shall be utilized for the full length of services and set to a depth from finished grade of no more than 1' - 0".

All meter sizes must be the same size as the service.

All service easements are the responsibility of the property owner and not Kent County Water Authority. No services will be installed in private easements by Kent County Water Authority.

METERS:

Refer to Rules and Regulations, Section 4 for the Kent County Water Authority.

All meters shall be read in cubic feet and compatible with the system employed by Kent County Water Authority.

SINGLE UNIT RESIDENTIAL METER PITS:

Residential meter pits shall be used for services that exceed 200' in length from the curb box.

Influent and effluent valves shall be provided inside the pit before and after the meter couplings. Ball valves on either side or ball valve, check valve combination will be acceptable.

If polyethylene is chosen, a minimum of a 12' copper whip shall be installed up to the meter.

Vault and ring style pits shall have an access ladder and be the customer's responsibility to maintain safe and dry conditions of the pit.

Vault and ring style pits shall have K copper tubing on the inlet and outlet sides of the pit with a 12' copper whip in each direction.

BACKFLOW PREVENTION:

Residential units must be equipped with dual check backflow preventer after the meter and non-removable vacuum breakers on all outside hose bibbs prior to service connection and meter installation. Style shall be non-removable self-draining type Watts No. 8D or equal.

All commercial or residential lawn sprinkler systems must be provided with a positive vacuum breaker or reduced pressure zone type assembly where the system connects to water supply. It shall be in a location that is always free draining and will not be submerged.

RELATED ITEMS:

Customer is referred to the Kent County Water Authority Rules & Regulations and all related policies for proper installation, operation and all governing procedures and policies.

CUSTOMER WATER SERVICE DISINFECTION POLICY

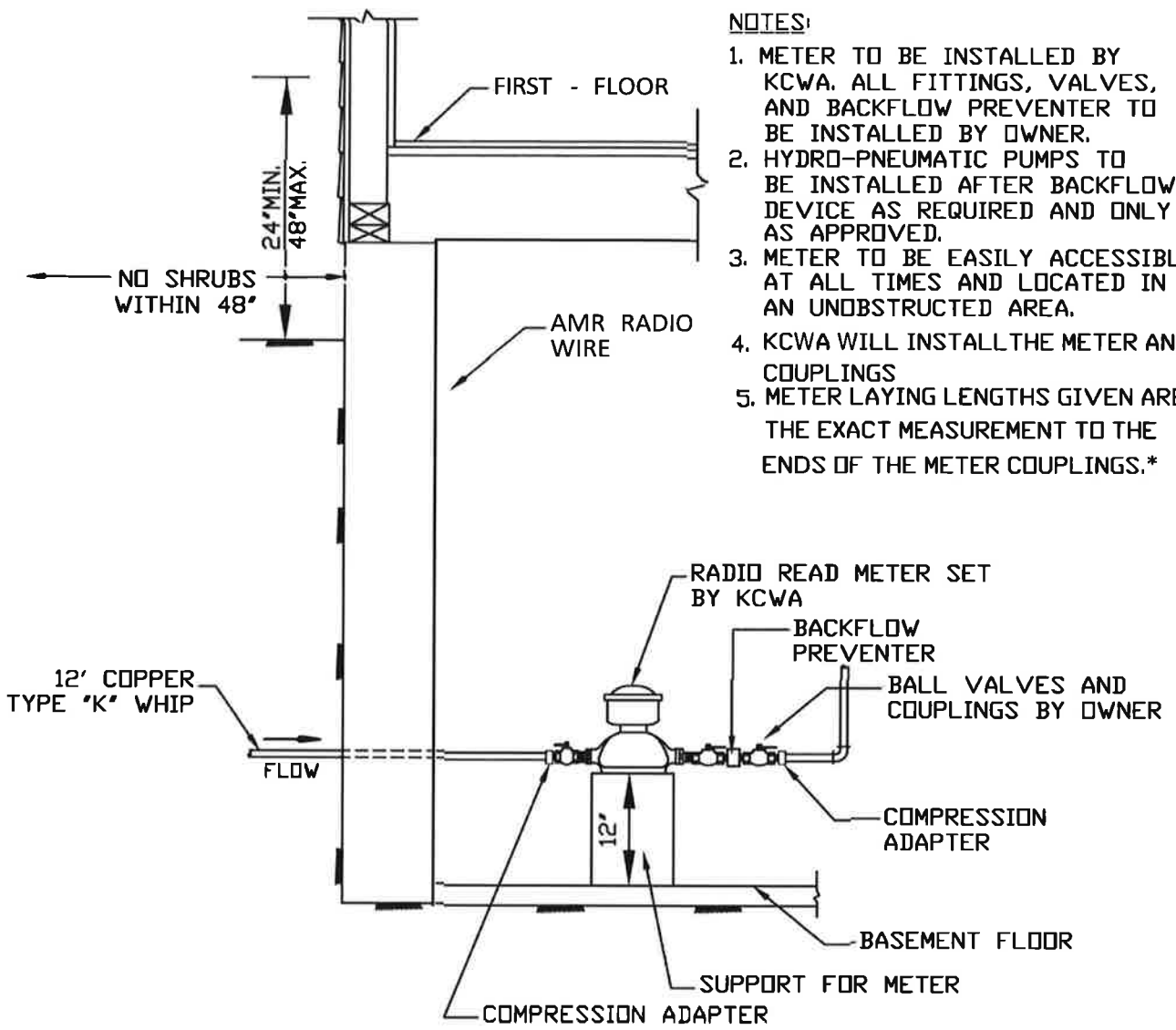
All new or repaired potable water system service pipe and necessary connecting pipe fittings, control valves and all appurtenances in or adjacent to any residence building structure or premise shall be purged of all deleterious material and disinfected prior to utilization or permanent connection or re-connection to the Kent County Water Authority system. That portion of the customer service pipe extending from the curb stop to the building shall be disinfected under the purview of the local plumbing official. The owner must provide written documentation from the plumbing inspector that disinfection was properly conducted in accordance with the American Water Works Association standard C651 and Rhode Island Plumbing Code. A copy of the bacteriological test results indicating compliance with the Rhode Island Department of Health drinking water quality standards for coliform and consistency with Kent County Water Authority water quality for Heterotrophic plate count (HPC) must be obtained before making any permanent connection to the Kent County Water Authority system or reactivation of an existing water service for potable water consumption can be authorized. HPC levels should reflect consistency with that observed in the daily sampling conducted by the Kent County Water Authority and in no case can the HPC results be greater than **25 CFU/ml** set by the Executive Director/Chief Engineer. The owner/applicant or customer is responsible for all costs associated with disinfection process or procedures. A plumbing permit from the local municipality is required in conjunction with this work.

Disinfection Procedures

1. The owner, plumber and/or plumbing official shall coordinate activities by contacting the Kent County Water Authority five working days prior to conducting the disinfection process to:
 - Obtain authorization to temporarily connect to the public water system if an alternative supply is not used.
 - Arrange for a representative of the Authority to examine the isolated connection to the public water system.
 - Obtain a reading from the temporary meter (if used).
 - Coordinate activation of the water connection to complete the disinfection and sample retrieval process.
2. The service pipe shall be flushed with clean potable water supplied by the contractor or from an isolated connection to the Kent County Water Authority system until all deleterious material is removed. If the contractor chooses to use the public water system, the contractor shall be responsible to provide a suitable, isolated connection to the Authorities system from the new service pipe.
3. Fill the service piping thereof with a chlorine solution containing at least 50 parts per million chlorine. Once the chlorine concentration in the effluent discharge reveals the proper concentration, the system shall be valved off and allowed to stand for the required time.

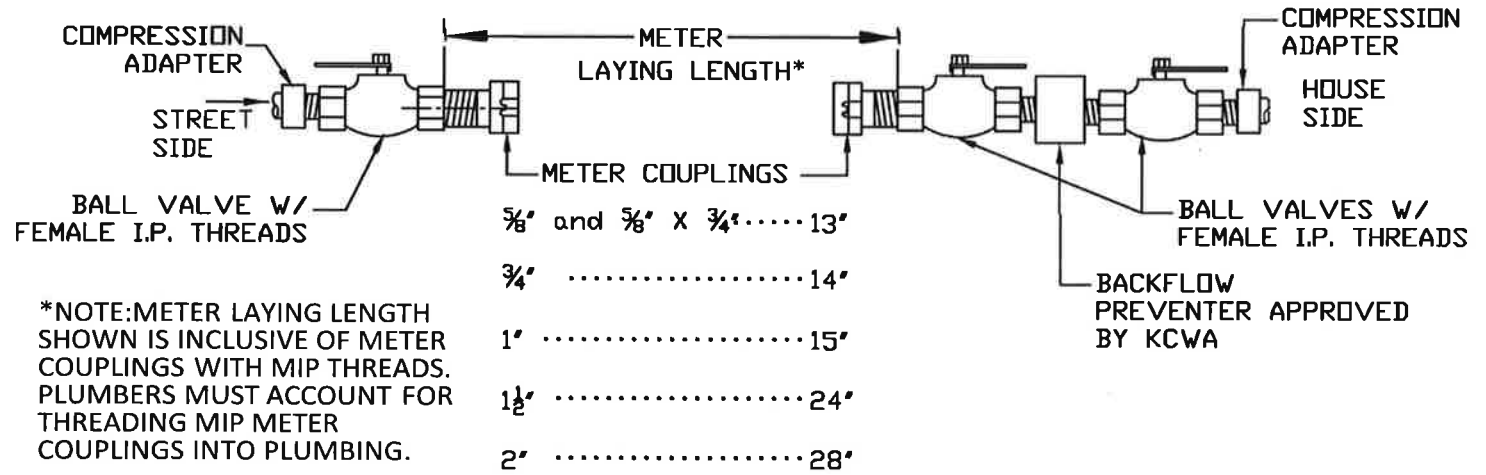
4. Following the required standing time, the service pipe shall be flushed with clean potable water until the chlorine is purged from the service piping. It is required that **one sample set** be analyzed for both coliform and heterotrophic plate count (HPC). This requires **two (2)** sample bottles per sampling event, one for the coliform test and one for the heterotrophic plate count, respectively. The customer shall elicit the services of a laboratory certified by the Rhode Island Department of Health to analyze the water samples using membrane filter technique or presence absence (P/A) method for compliance with Rhode Island Department of Health coliform regulations, and standard heterotrophic plate count test. The RI Department of Health has a listing of certified laboratories. The sample retrieval shall be conducted under the purview of the local plumbing official per the requirements contained in the Rhode Island State Plumbing code. Sample results will remain valid until expiration date of the water service application and in any event not to exceed 6 months from the date the samples were analyzed.
5. The disinfection process shall be repeated until the results of the bacteriological testing confirm compliance with the Rhode Island Department of Health drinking water quality standards and heterotrophic plate count consistent with Kent County Water Authority public water system quality set by the Executive Director Chief Engineer.
6. The water service applicant must provide the Authority with copies of the satisfactory laboratory test results (**negative for coliform and HPC < 25 CFU/ml**) and inspection verification letter (per section 107 of plumbing code) from the local plumbing official, before permission will granted to complete the permanent connection to the public water system.
7. All connection materials shall be kept free of any potential contamination and be swabbed with chlorine solution prior to connection to the newly disinfected service.

**A \$50 SERVICE CHARGE WILL BE APPLIED TO EACH REVISIT TO THE SITE BY
A KENT COUNTY WATER AUTHORITY REPRESENTATIVE.**



- NOTES:**
1. METER TO BE INSTALLED BY KCWA. ALL FITTINGS, VALVES, AND BACKFLOW PREVENTER TO BE INSTALLED BY OWNER.
 2. HYDRO-PNEUMATIC PUMPS TO BE INSTALLED AFTER BACKFLOW DEVICE AS REQUIRED AND ONLY AS APPROVED.
 3. METER TO BE EASILY ACCESSIBLE AT ALL TIMES AND LOCATED IN AN UNOBSTRUCTED AREA.
 4. KCWA WILL INSTALL THE METER AND COUPLINGS
 5. METER LAYING LENGTHS GIVEN ARE THE EXACT MEASUREMENT TO THE ENDS OF THE METER COUPLINGS.*

WATER METER INSTALLATION



*NOTE: METER LAYING LENGTH SHOWN IS INCLUSIVE OF METER COUPLINGS WITH MIP THREADS. PLUMBERS MUST ACCOUNT FOR THREADING MIP METER COUPLINGS INTO PLUMBING.

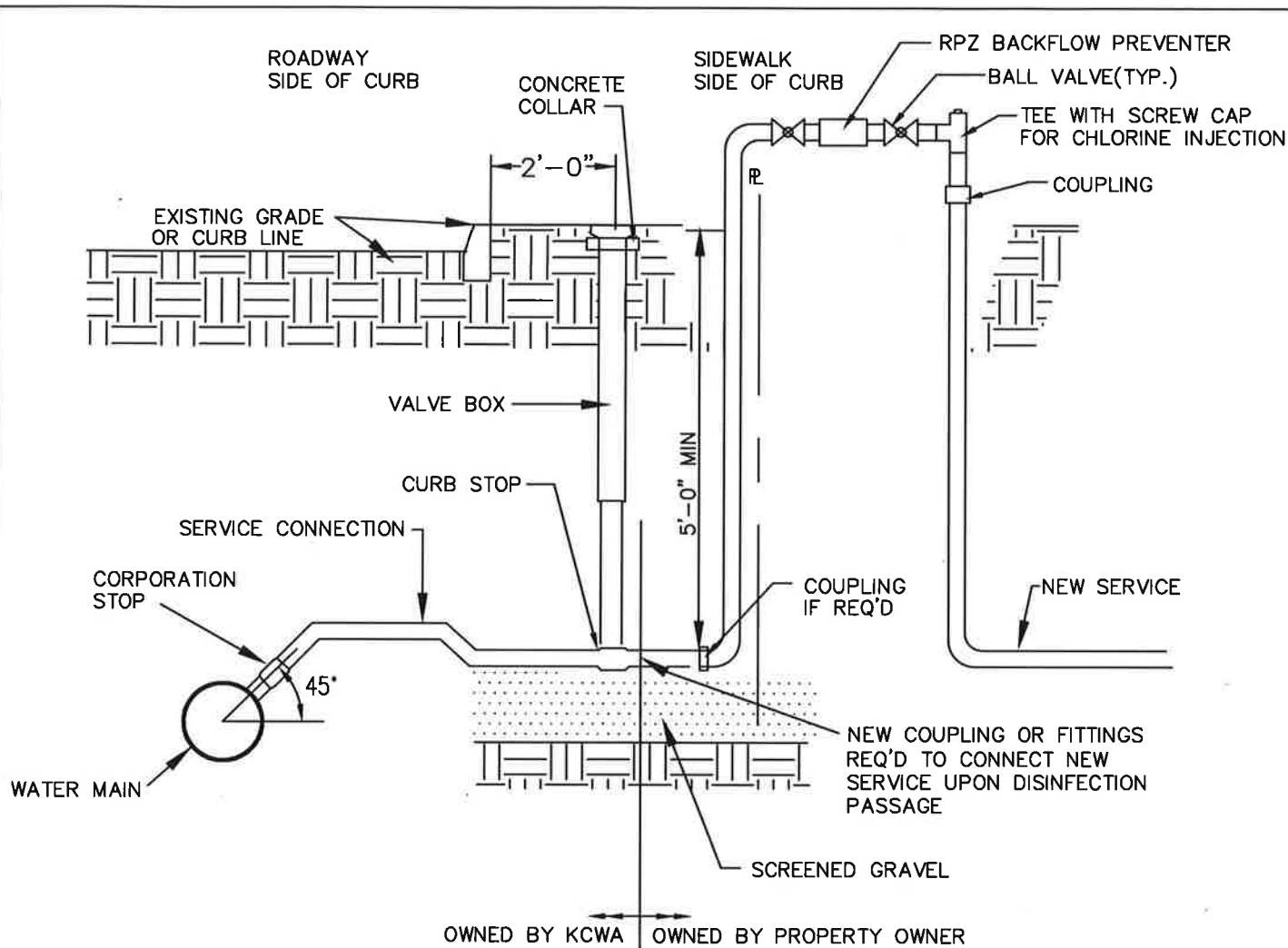
WATER METER SETTINGS WITH FITTINGS

KENT COUNTY WATER AUTHORITY
WATER METER INSTALLATION

KCWA
 'proudly serving'

NOT TO SCALE

DATE: 02/2020



NOTE:

- 1.) SERVICE MATERIALS AND DISINFECTION REQUIREMENTS PER KCWA SPECIFICATION UNLESS CITY OR TOWN CODES REQUIRE SPECIFIC MATERIALS THAT HAVE BEEN APPROVED BY KCWA.
- 2.) SERVICE LINE FROM CURB BOX TO BUILDING SHALL BE INSPECTED, TESTED AND APPROVED BY THE LOCAL PLUMBING INSPECTOR.
- 3.) ONCE DISINFECTED FOLD AND CUT SERVICE LINE TO CONNECT TO CURB STOP.
- 4.) BACKFLOW AND VALVES MAY BE PLACED BELOW GRADE IF SECURE PLATE IS USED TO COVER OPEN EXCAVATION.

TEMPORARY SERVICE CONNECTION
FOR PRESSURE TESTING & DISINFECTION

NOT TO SCALE

Single Family Home New Service Sampling Procedures

1. Faucets, valves, and specially-installed sampling lines are the most common types of sampling appurtenances found at new service installations. If faucets are used, each faucet should be examined carefully to ensure its suitability. Poor faucet design or sample lines may contribute to non-compliant, failed, or invalid sample results. The service pipe RPZ backflow isolation appurtenance must be properly installed at the curb box prior to commencing the sampling process
2. Wash or sanitize hands. Remove any aerator, strainer, or hose that is present, as any of these may harbor bacteria and cause a false coliform positive sample result.
3. Disinfect the sample tap with a 5 % chlorine solution (unscented household bleach) using the squeeze bottle in the sampling kit. Squirt the terminal end of the tap inside and out with the chlorine solution
4. Turn on and run the water to flush the tap for 5 minutes or when the temperature has stabilized, whichever is longer. Reduce the flow so that the stream is no greater than ¼ inch in diameter, or the width of a pencil. Check for steady flow with no splashing. Continue this laminar flow for a minimum of 10 minutes. While the water is running, fill out the labels, tags, and laboratory forms. Apply the labels to the containers. Do not change the water flow once the desired sampling flow stream has started as that could dislodge microbial growth.
5. Two sample bottle need to be filled for the lab. One sample is for the detection, or Presence/Absence (P/A), of coliform bacteria and the other is for Heterotrophic Plate Count (HPC). Check and make sure there are blue sodium thiosulfate pills in the bottles before sampling. If there is no pill, discard and use a new bottle. Flip the bottle cap open on its hinge being **extremely careful not to contaminate the sample by touching the inside of the cap or the inside of the sample container with your fingers**. Make sure the cap is extended back as to not get in the way of the water flow when taking each sample.
6. At the 10 minute point, quickly position each bottle under the water flow. Water dripping from your hands may also cause contamination of the sample so extra care should be taken when collecting this sample. Fill each bottle to the 100 ml fill line.
7. The sample bottles should be tightly capped being careful only to touch the outside of the cap. The bottles then get zipped tied using the attached latch and zip system. Blot the sample containers with a paper towel to dry it off. If a refrigerated cooler is not available, ice packs or bagged ice is sometimes needed for use in shipping. It is highly recommended that samples be bagged separately to eliminate any cross contamination of the sample from the ice packs or the ice condensate.
8. Using tap water, rinse the outside and terminal end of the faucet and any other surface at the sample site that the chlorine solution came in contact. Turn the tap off. Wipe down the tap with a clean paper towel and replace the aerator, strainer, or hose if removed for the sample.
9. Check that the information on the label is correct cross reference sample ID, analytical results, and time with laboratory chain-of-custody.
10. Keep samples in closed chest, preferably kept at 10°C (48°F), out of sunlight and deliver to the lab within the same day. Confirm sample IDs with lab receiver and log in cooler temperature on chain of custody.

**STATE OF RHODE ISLAND
CERTIFIED LABORATORIES FOR POTABLE WATER MICROBIOLOGICAL TESTING**

LAB CONTACT INFO	CERTIFICATE #
<p>BAL LABORATORY 185 Frances Ave. Cranston, Rhode Island, 02910 Phone: 401-785-0241 Fax: 401-785-2374 http://www.ballaboratory.com/</p>	LAI00036
<p>NEW ENGLAND TESTING LABORATORY, INC. 1254 Douglas Avenue North Providence, Rhode Island 02904 Phone:1-888-863-8522 Fax: 1-401-354-8951 http://www.newenglandtesting.com/</p>	LAI00004
<p>NORTHEAST ENVIRONMENTAL TESTING LABORATORY, INC. 472 Smith Street Providence, Rhode Island 02908 (401) 454-3400 http://www.neetl.com/</p>	LAI00119
<p>PREMIER LABORATORY INC. 61 Louisa Viens Drive Dayville, CT 06241 Phone: (800)334-0103 - (860)774-6814 Fax: (860)774-2689 http://www.premierlaboratory.com/</p>	LAI000300
<p>RI ANALYTICAL LABORATORIES 41 Illinois Avenue Warwick, RI 02888-3007 Direct: 800.937.2580 Main: 401.737.8500 Fax: 401.738.1970 http://www.rianalytical.com/</p>	LAI0033
<p>RI DEPARTMENT OF HEALTH LABORATORY 50 Orms Street Providence, RI 02904 Direct: 401-222-5600 FAX: 401-222-6985 http://www.health.ri.gov/programs/laboratory</p>	LAI00121

The lab used for testing should be contacted directly for specific bottle order and Chain of Custody