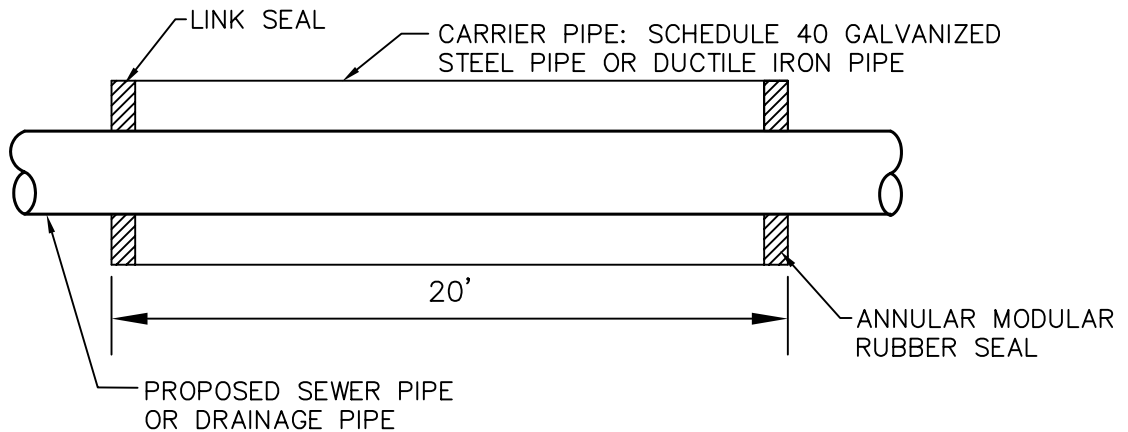


NOTES:

1. THE VERTICAL SEPARATION BETWEEN THE WATER MAIN AND THE PROPOSED UTILITY SHALL BE A MINIMUM OF 18 INCHES.
2. THE HORIZONTAL SEPARATION BETWEEN THE WATER MAIN AND THE PROPOSED UTILITY SHALL BE A MINIMUM OF 10 FEET.
3. IF 1 OR 2 CANNOT BE MAINTAINED THE PROPOSED UTILITY SHALL BE INSTALLED WITHIN A CARRIER PIPE UPON WRITTEN APPROVAL BY THE KCWA.
4. SEWER MAIN AND SERVICES ARE NOT ALLOWED TO CROSS OVER THE TOP OF WATER MAIN.
5. CONCRETE ENCASEMENT IS NOT ALLOWED.



CARRIER PIPE DETAIL

KENT COUNTY WATER AUTHORITY

UTILITY SEPERATION

NOT TO SCALE

DATE: 09/2006

KCWA

"proudly serving"