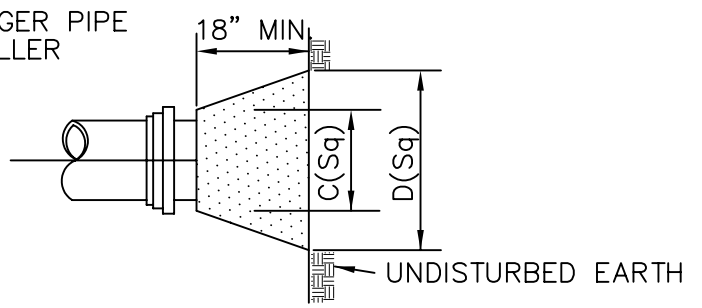
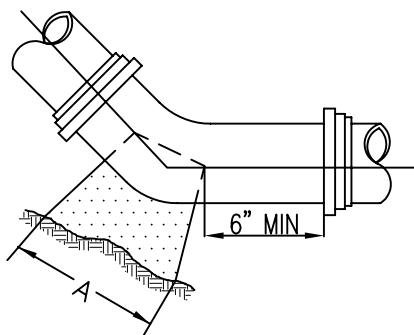


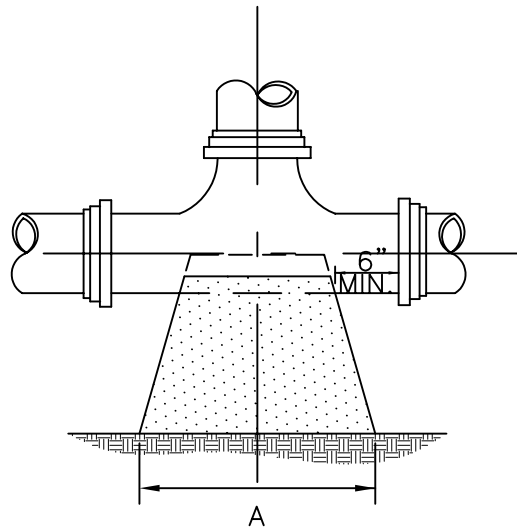
BENDS & TEES SECTION



PLAN & ELEVATION PLUGS



PLAN BENDS



PLAN TEES

NOTES:

- 1.) ALL CONCRETE SHALL BE 4000 P.S.I @ 28 DAYS.
- 2.) CONCRETE THRUST BLOCKS SHALL BEAR AGAINST UNDISTURBED EARTH.
- 3.) FORMS TO BE USED AS NECESSARY.
- 4.) ALL BOLTS AND NUTS TO BE PROTECTED FROM CONCRETE AND EASILY ACCESSIBLE WHEN THRUST BLOCK INSTALLED.
- 5.) REGISTERED PROFESSIONAL ENGINEER IN THE STATE OF R.I. SHALL VERIFY ALL CALCULATIONS DURING DESIGN TO MEET CONDITIONS OF PROJECT AND KCWA REQUIREMENTS.

SIZE	TEES		PLUGS		90° BEND		45° BEND		22½° BEND		11¼° BEND	
	A	B	C	D	A	B	A	B	A	B	A	B
6"	20"	10"	10"	21"	24"	12"	18"	9"	13"	7"	9"	5"
8"	26"	13"	12"	26"	32"	16"	24"	12"	17"	9"	12"	6"
10"	34"	17"	14"	34"	40"	20"	30"	15"	22"	11"	15"	8"
12"	41"	20"	16"	41"	48"	24"	35"	18"	25"	13"	18"	9"
16"	54"	27"	20"	54"	64"	32"	47"	23"	34"	17"	24"	12"

KENT COUNTY WATER AUTHORITY

KCWA

"proudly serving"

THRUST BLOCK

NOT TO SCALE

DATE: 09/2006